

Yodock® 2001MB

Water Fillable Barricade



APPLICATIONS

- Construction & temporary work zones
- Longitudinal channelizer
- Perimeter fencing
- Airport construction & maintenance
- Parking facilities
- Municipal & public utilities
- Security checkpoints
- Events & crowd control
- Parks & recreational facilities

The Yodock® Model 2001MB Metropolitan Blow Mold Barricade is comprised of recyclable, portable energy disbursement cells used to assist in the prevention of vehicular penetration of a work zone or gore area, street & road closures. It may also be used to provide delineation for traffic and pedestrian channelization.

When assembled as a Longitudinal Channelizing Device, the units are interlocked end-to-end at bottom with female-to-male indentations, and at top with locking coupling device. It is then ballasted with water. When assembled as a work zone device or road closure, the units may be used empty or ballasted with water.

When used as a Longitudinal Barrier, the system must be accessorized with the Yodock Longitudinal Barrier Steel Reinforcement Kit. Warning flags, steady burning lights, or flashing lights can be securely mounted to each unit.

Features & Benefits

- Lightweight design eliminates the need for large equipment.
- Bright color options for increased site distance.
- Made of heavy-duty polyethylene.
- Can be accessorized for barrier wall, fencing, road closures and temporary sign support.
- Stackable for efficient transportation and storage.

Installation & Repair Advantages

- Can be assembled empty or ballasted.
- Lockable fill caps and separate drain plugs for easy setup.
- Patented forklift access for maneuverability.
- May be anchored to the roadway surface using bolts.

Specifications

- 72" length
- 18" width
- 32" height
- 75 lbs. empty
- 900 lbs. water filled

FHWA Acceptances

- Longitudinal Barrier
- Longitudinal Channelizing Device
- Work Zone Barricade



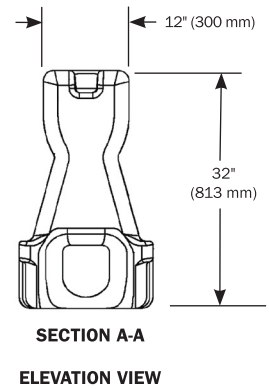
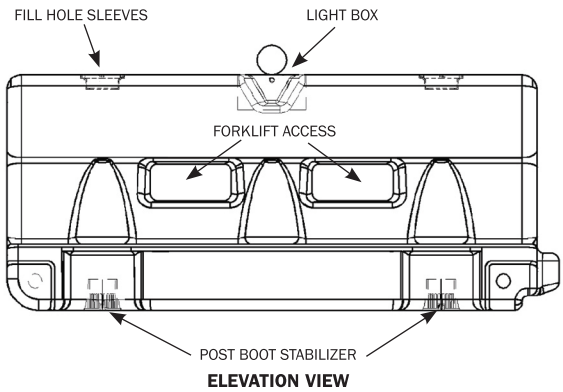
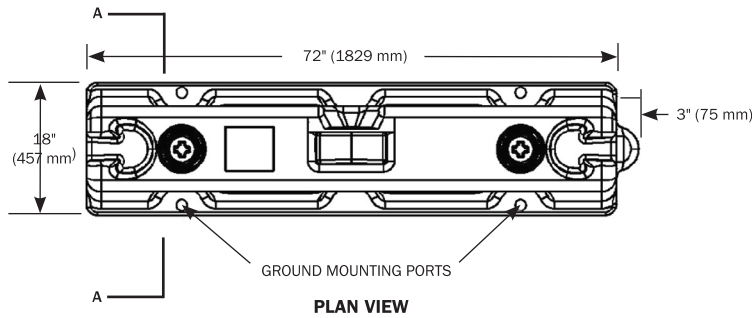
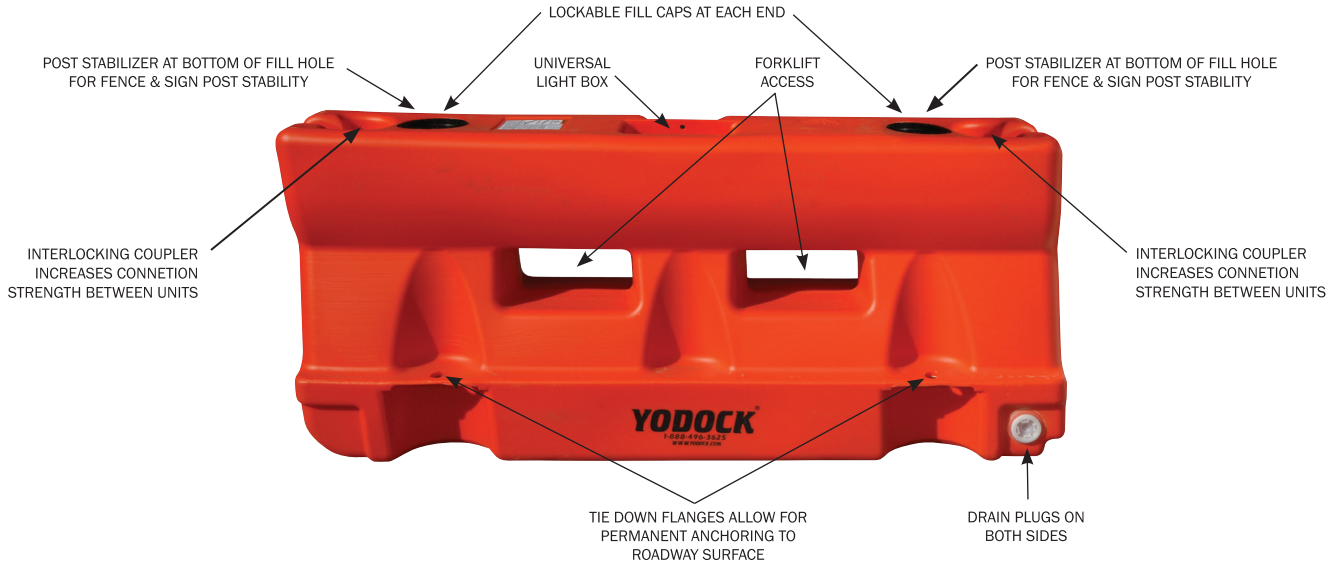
Model 2001MB shown here with fence panels.

1-888-496-3625
www.yodock.com

1-877-496-3625
www.pbsrentals.com

Yodock® 2001MB

Water Fillable Barricade

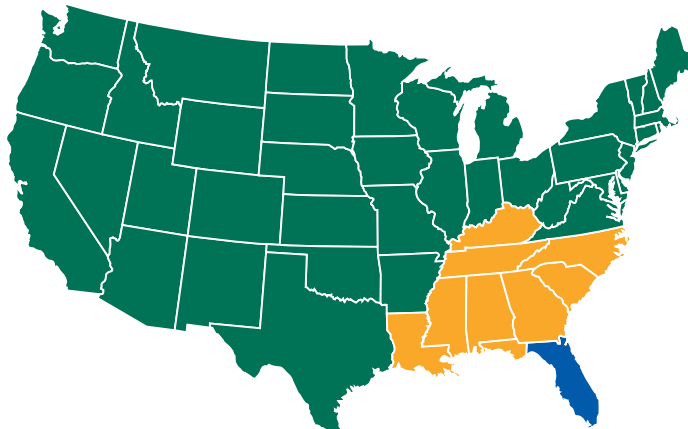


Northeast, Mid-Atlantic & West Coast

900 Patterson Drive
Bloomsburg, PA 17815
Phone: (570) 380-2815
Fax: (570) 380-2859

Florida

623 N.E. 5th Terrace
Ft. Lauderdale, FL 33304
Phone: (954) 963-1235
Fax: (954) 462-6004



Southeast Including Florida Panhandle

8950 Hwy 5, Suite C & D
Douglasville, GA 30134
Phone: (770) 947-5103
Fax: (770) 947-5946

